





TuffTower Components [compatible with Boss/UTS/LYTE Towers]

Ring 01-8222855 to buy this product [fits Boss/UTS/LYTE Towers]


<u>Component Code</u>	<u>Description</u>		<u>Price [Both]</u>
T1CT6	LFI TuFF Tower 150mm Dual Locking Castor/Adjustable Leg		
		Net	130.00
		Vat	29.90
		Total	159.90






Ring 01-8222855 to buy this product [fits Boss/UTS/LYTE Towers]

<u>Component Code</u>	<u>Description</u>		<u>Price [each]</u>
T1RS2	LFI TuFF Tower 2 Rung SW Span Frame		
		Net	131.00
		Vat	30.13
		Total	161.13




Ring 01-8222855 to buy this product [fits Boss/UTS/LYTE Towers]

<u>Component Code</u>	<u>Description</u>		<u>Price [each]</u>
T1LRS2	LFI TuFF Tower 2 Rung SW Ladder Frame	Net	165.00
		Vat	37.95
		Total	202.95




Ring 01-8222855 to buy this product [fits Boss/UTS/LYTE Towers]

<u>Component Code</u>	<u>Description</u>		<u>Price [each]</u>
T1RS3	LFI TuFF Tower 3 Rung SW Span Frame	Net	168.00
		Vat	38.64
		Total	206.64




Ring 01-8222855 to buy this product [fits Boss/UTS/LYTE Towers]

<u>Component Code</u>	<u>Description</u>		<u>Price [each]</u>
T1LRS3	LFI TuFF Tower 3 Rung SW Ladder Frame	Net	234.00
		Vat	53.82
		Total	287.82




Ring 01-8222855 to buy this product [fits Boss/UTS/LYTE Towers]

<u>Component Code</u>	<u>Description</u>		<u>Price [each]</u>
T1RS4	LFI TuFF Tower 4 Rung SW Span Frame	Net	222.00
		Vat	51.06
		Total	273.06



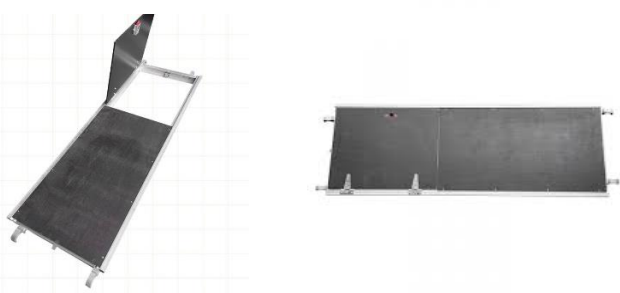
Ring 01-8222855 to buy this product [fits Boss/UTS/LYTE Towers]

<u>Component Code</u>	<u>Description</u>		<u>Price [each]</u>
T1LRS4	LFI TuFF Tower 4 Rung SW Ladder Frame	Net	278.00
		Vat	63.94
		Total	341.94




Ring 01-8222855 to buy this product [fits Boss/UTS/LYTE Towers]

<u>Component Code</u>	<u>Description</u>		<u>Price [each]</u>
T1TP1	LFI TuFF Tower 1.8m Hatch Deck	Net	266.00
		Vat	61.18
		Total	327.18




Ring 01-8222855 to buy this product [fits Boss/UTS/LYTE Towers]

<u>Component Code</u>	<u>Description</u>		<u>Price [each]</u>
T1HB1	LFI TuFF Tower 1.8m Horizontal Brace	Net	66.00
		Vat	15.18
		Total	81.18




Ring 01-8222855 to buy this product [fits Boss/UTS/LYTE Towers]

<u>Component Code</u>	<u>Description</u>		<u>Price [each]</u>
T1DB1	LFI TuFF Tower 2.1m Diagonal Brace	Net	70.00
		Vat	16.10
		Total	86.10



Ring 01-8222855 to buy this product [fits Boss/UTS/LYTE Towers]

<u>Component Code</u>	<u>Description</u>		<u>Price [each]</u>
T1TBL1	LFI TuFF Tower SW 1.8m Toe Board Set	Net	132.00
		Vat	30.36
		Total	162.36



Ring 01-8222855 to buy this product [fits Boss/UTS/LYTE Towers]

<u>Component Code</u>	<u>Description</u>		<u>Price [each]</u>
T1STAB1	LFI TuFF Tower Standard Stabiliser	Net	134.00
		Vat	30.82
		Total	164.82



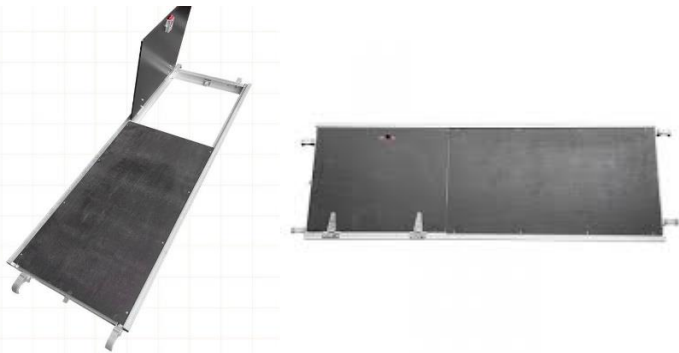
Ring 01-8222855 to buy this product [fits Boss/UTS/LYTE Towers]

<u>Component Code</u>	<u>Description</u>		<u>Price [each]</u>
T1STAB2	LFI TuFF Tower Large Stabiliser	Net	169.00
		Vat	38.87
		Total	207.87



Ring 01-8222855 to buy this product [fits Boss/UTS/LYTE Towers]

<u>Component Code</u>	<u>Description</u>		<u>Price [each]</u>
T1TP2	LFI TuFF Tower 2.5m Hatch Deck	Net	296.00
		Vat	68.08
		Total	364.08




Ring 01-8222855 to buy this product [fits Boss/UTS/LYTE Towers]

<u>Component Code</u>	<u>Description</u>		<u>Price [each]</u>
T1HB2	LFI TuFF Tower 2.5m Horizontal Brace	Net	77.00
		Vat	17.71
		Total	94.71



Ring 01-8222855 to buy this product [fits Boss/UTS/LYTE Towers]

<u>Component Code</u>	<u>Description</u>		<u>Price [each]</u>
T1DB2	LFI TuFF Tower 2.7m Diagonal Brace	Net	88.00
		Vat	20.24
		Total	108.24



Ring 01-822855 to buy this product [fits Boss/UTS/LYTE Towers]

<u>Component Code</u>	<u>Description</u>		<u>Price [each]</u>
T1TBL2	LFI TuFF Tower SW 2.5m Toe Board Set	Net	148.00
		Vat	34.04
		Total	182.04



The image contains two illustrations. The left illustration shows a white metal tower with a wooden toe board installed on its platform. The right illustration shows a separate wooden toe board set, which is a rectangular frame made of wood.